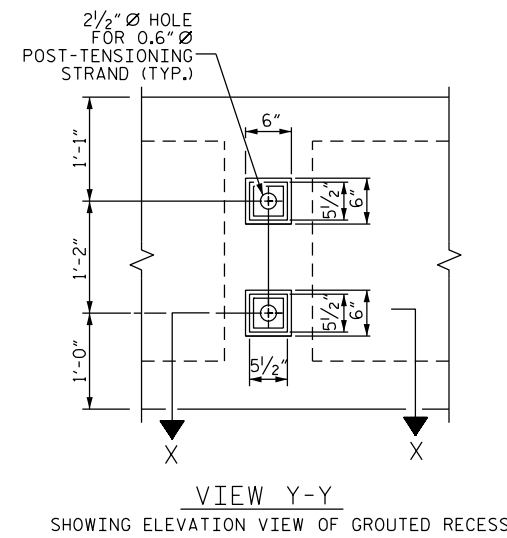
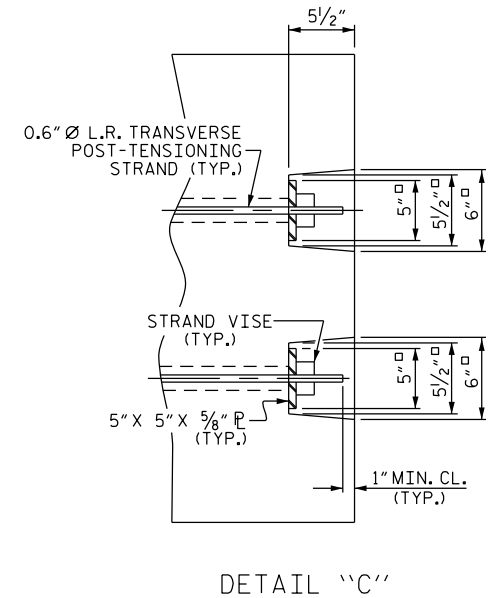


**DOUBLE DIAPHRAGM DETAILS**

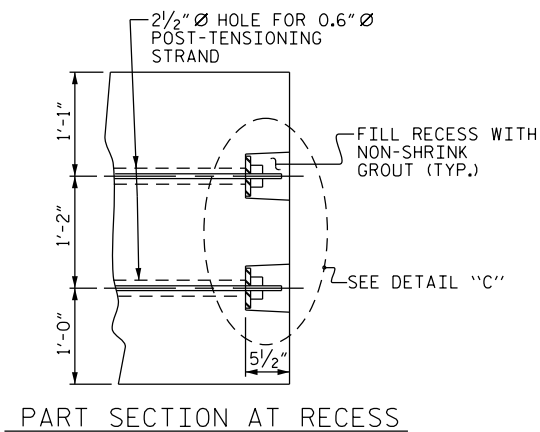
#4 "S" BARS NOT SHOWN. #4 "S" BARS MAY BE SHIFTED SLIGHTLY TO CLEAR 2 1/2" Ø HOLE.



**VIEW Y-Y**  
SHOWING ELEVATION VIEW OF GROUTED RECESS



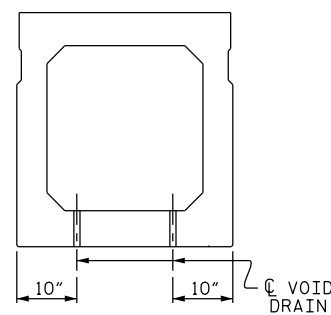
**DETAIL "C"**



**PART SECTION AT RECESS**

**SECTION X-X**  
SHOWING PLAN VIEW OF GROUTED RECESS

**GROUTED RECESS DETAIL AT  
END OF POST-TENSIONED STRANDS  
OF EXTERIOR BOX BEAM**



**SECTION B-B**

**PART PLAN**

**VOID DRAIN DETAILS**

(DIMENSIONS SHOWN ARE TYPICAL FOR EACH VOID)

DEAD LOAD DEFLECTION AND CAMBER			
	3'-0" x 3'-3"		
	0.6" Ø L.R. STRAND		
	SPAN "A"	SPAN "B"	SPAN "C"
CAMBER ( BEAM ALONE IN PLACE )			
DEFLECTION DUE TO CONCRETE WEARING SURFACE			
FINAL CAMBER			

PROJECT NO. \_\_\_\_\_

\_\_\_\_\_ COUNTY

STATION: \_\_\_\_\_

SHEET \_ OF \_

STATE OF NORTH CAROLINA  
DEPARTMENT OF TRANSPORTATION  
RALEIGH  
STANDARD  
3'-0" X 3'-3"  
PRESTRESSED CONCRETE  
BOX BEAM UNIT

ASSEMBLED BY :	DATE :	TLA/GM
CHECKED BY :	DATE :	MAA/GM
DRAWN BY : TLA 5/05	REV. 5/1/06	MAA/THC
CHECKED BY : GM 6/05	REV. 10/1/11	
	REV. 12/17	

DOCUMENT NOT CONSIDERED  
FINAL UNLESS ALL  
SIGNATURES COMPLETED

REVISIONS						SHEET NO.
NO.	BY:	DATE:	NO.	BY:	DATE:	TOTAL SHEETS
1			3			
2			4			

STD. NO. PCBB7